

CT series

Self-priming filter pump
CHEMIFINE

Japan patented

International patent
pending

USA • EU • TWN • KOR • CHN

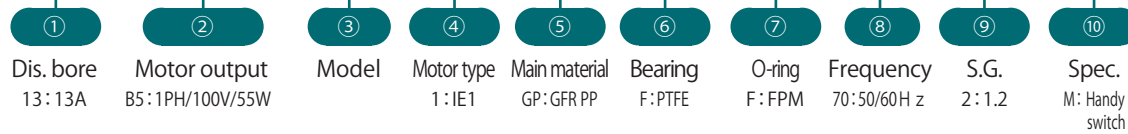


『Self-priming pump』& 『Filter』 are unified ⇒ Compact design & work efficiency is up!

〈Model〉

YD-13B5CT1-GP-FD72-M

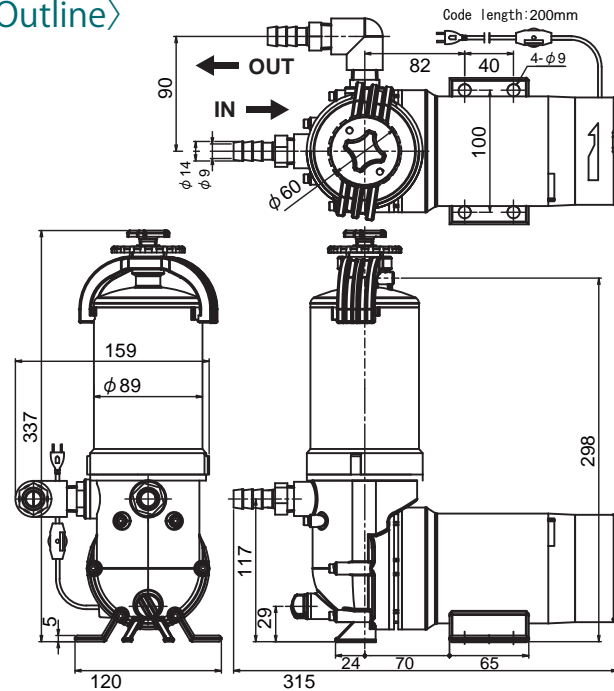
Compact



〈 Standard performance 〉

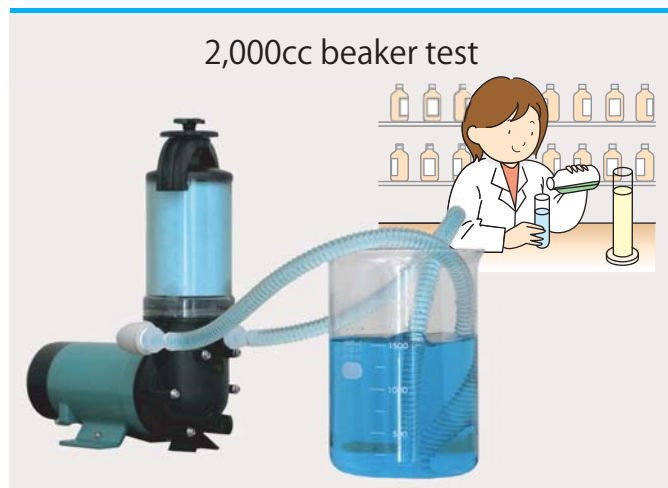
Capacity	50Hz:240L/hr~900L/hr 60Hz:300L/hr~1,020L/hr
Bore	Suction・Discharge: 9mm
Connection	Hose bore: 12mm
Power	AC100V 50/60Hz 55W Power code:2m + Handy switch
Material	Pump:GFR PP Housing:PSF (Transparence)
Heat resistance	60°C
Accessory	Special tool for housing

〈 Outline 〉



Use

- Lower-capacity plating test tank
- Tabletop ultrasonic washing machine
- Laboratory, University



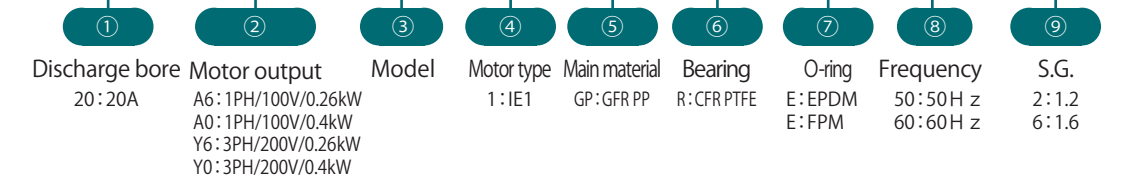
Feature

- Resistant to mix air
- Transparent housing for easy check
- Easy disassembly
- Filter replacement without dripping



〈Model〉

YD-20Y6CT1-GP-RD52

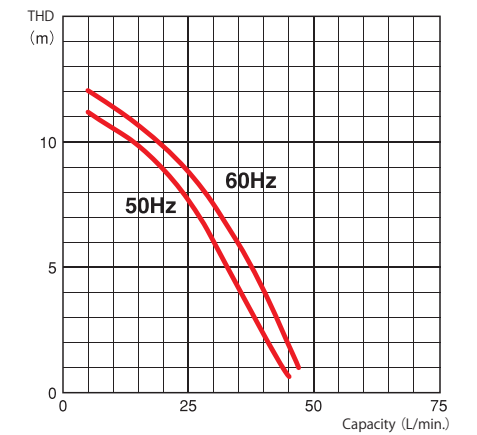


〈 Standard performance 〉

Model	20Y6CT	2000CT	20A6CT	20A0CT
Capacity (Clear water)	600~2400 L/h			
Minimum flow (Clear water)	5L/m i n			
Self-priming ability (at 2m)	50Hz : 90 sec. 60Hz : 60 sec.			
Limit of self-priming lift (m)	2.5 (Clear water at 25°C)			
Applicable plating tank	100~800L			
Max. teperature (Hot water)	70°C			
Max. pressure (at 25°C)	0.25MPa			
Motor output	3PH, 200V 0.26kW	3PH, 200V 0.4kW	1PH, 100V 0.26kW	1PH, 100V 0.4kW
Outline (mm)	Length 486	557	486	557
	Width 208			
	Height 547 (593)	※ () =with pressure gauge		
Weight (kg)	11.6	13.1	11.6	13.1
Piping bore	20A ×20A Union connection			
Applicable filter	φ65×250mm/φ115×250mm 1 piece			

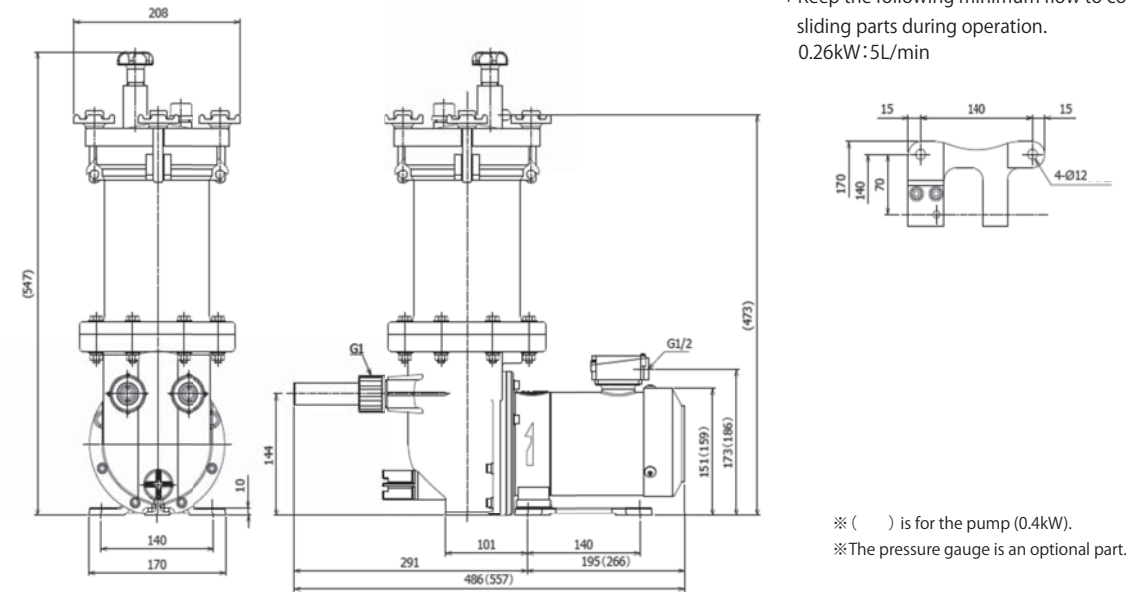
※It is max. flow and depending on the filter to use.
※It is the max. pressure of the pump. ※If the S.G. of the liquid is 1.2 and more, ask us.

〈 Performance curve 〉



※The date is based on the end suction operation (Clear water 20 degrees).
※Keep the following minimum flow to cool sliding parts during operation.
0.26kW:5L/min

〈 Outline 〉

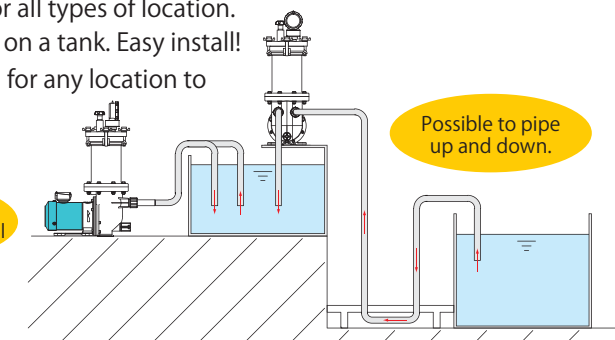


※ () is for the pump (0.4kW).
※The pressure gauge is an optional part.

Free layout

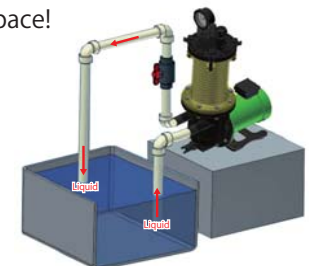
- Can be used for all types of location. No need holes on a tank. Easy install!
- Cost reduction for any location to install.

Safety installation under the liquid level



Top cover structure is adopted.

- Work efficiency to replace a filter is up!
- Filter replacement without dripping makes safety work space!





Comprehensive Manufacturer of Environmental Equipment
Challenging the Liquid Transfer Technology,

World Chemical Co., Ltd.

URL <http://www.wcc.co.jp/en>

Head Office

3F., ANTEX24, 1-1-14, Taito,
Taito-ku, Tokyo, 110-0016 Japan

☎ 81-3(5818)5130 ☎ 81-3(5818)5131

E-mail chemical@wcc.co.jp

Domestic sales department

☎ 81-3(5818)5130 ☎ 81-3(5818)5131

Overseas sales department

☎ 81-3(5818)5134 ☎ 81-3(5818)5131

Nagoya Office

1F., EIKEI Bldg., 1-307, Yashirogaoka, Meitou-ku, Nagoya-shi,
Aichi, 465-0051 Japan

☎ 81-52(701)1227 ☎ 81-52(701)1250

Osaka Office

7F., KUJO Bldg., 1-27-6, Kujo, Nishi-ku, Osaka-shi, Osaka
550-0027 Japan

☎ 81-6(6584)3185 ☎ 81-6(6584)3160

Tsukuba Factory

6127-5, Onogo-machi, Joso-shi,
Ibaraki, 300-2521 Japan

☎ 81-297(24)1071 ☎ 81-297(24)1075

Service Center

6127-5, Onogo-machi, Joso-shi,
Ibaraki, 300-2521 Japan

☎ 81-297(24)1071 ☎ 81-297(24)1075

Bangkok Representative Office

2952/50 Ideo BluCove Sukhumvit, Sukhumvit 103, Bangna,
Bangkok, 10260 Thailand

台湾華爾多科技股份有限公司

Worchemi Taiwan Co., Ltd.

台中市神岡區中山路 915 號
NO.915, Zhongshan Rd., Shengang Dist.,
Taichung City 42955, Taiwan

☎ 886-4-2562-8358 ☎ 886-4-2562-8351

URL <http://www.worldchemical.com.tw>

E-mail worchemi@ms34.hinet.net

World Chemical USA, Inc.

30 Hughes, Suite 203, Irvine, CA 92618, U.S.A

☎ 1-949-462-0900 ☎ 1-949-462-0999

URL <http://www.worldchemicalusa.com>

E-mail wca@worldchemicalusa.com

蘇州華而多科技有限公司

Suzhou World Technology Co., Ltd.

江蘇省蘇州市相城經濟開發區富元路402號
402, Fu Yuan Road, Xiang Cheng, Economic District., Su Zhou, China


☎ 86-512-6579-8212 ☎ 86-512-6579-8215

URL <http://www.worldchemical.com.cn>


E-mail worldchemical@wcs.szbnet.com



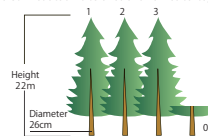
■Note:



This is printed by using a reused aluminum board
(4.22 kg) and saves electric power, 66.77 kW.
(CO₂ emission 43.09 kg)



The CO₂ reduction is certified and verified strictly and fair by Japan Smart Energy Co., Ltd.



Height 22m
Diameter 26cm

CO₂ reduction (43.09 kg)
means
it is CO₂ absorbed by 3.09
Japanese cedars (Height 22 m,
26 cm diameter) which is 50
years old in a year.
(By Forest and Forestry)

World Chemical Co., Ltd. joins a forest regeneration project (plant 3,000 trees) in Bali, Indonesia through printing by MCP.