



URL <https://www.wcc.co.jp>

E-mail chemical@wcc.co.jp

(English only) overseaschemical@wcc.co.jp

〈Head office〉

3F., ANTEX24 1-1-14 Taito, Taito-ku, Tokyo

110-0016 Japan

☎ +81-3-5818-5130 FAX +81-3-5818-5131

Domestic sales dept. +81-3-5818-5130 +81-3-5818-5131

Overseas sales dept. +81-3-5818-5134 +81-3-5818-5131

〈Nagoya office〉

9F., Daiei bldg., 1-11-20 Nishiki, Naka-ku,

Nagoya -shi, Aichi 460-0003 Japan

☎ +81-52-253-8426 FAX +81-52-253-8436

〈Osaka office〉

3F., Kotani park bldg., 1-19-25 Edobori, Nishi-ku,

Osaka-shi, Osaka 550-0002 Japan

☎ +81-6-6467-8565 FAX +81-6-6467-8566

〈Fukuoka office〉

5F., Yasuda 5th bldg., 2-17-2 Hakataekimaei, Hakata-ku,

Fukuoka-shi, Fukuoka 812-0011 Japan

☎ +81-92-710-6001 FAX +81-92-710-6125

〈Tsukuba factory〉

6127-5 Onogo-machi, Joso-shi, Ibaraki

300-2521 Japan

☎ +81-297-24-1071 FAX +81-297-24-1075

Service center

6127-5 Onogo-machi, Joso-shi, Ibaraki 300-2521 Japan

☎ +81-297-24-1071 FAX +81-297-24-1075

■ご用命は下記へ



〈Chemmy〉

WORCHEMI TAIWAN CO., LTD.

No.915, Zhongshan Rd., Shengang Dist.,
Taichung City 42955, Taiwan (R.O.C.)

1 886-4-2562-8358 5 886-4-2562-8351

URL <http://www.worldchemical.com.tw>

E-mail worchemi@ms34.hinet.net

SUZHOU WORLD TECHNOLOGY CO., LTD

402, Fu Yuan Road, Xiang Cheng, Economic District,
Su Zhou, China

1 86-512-6579-8212 5 86-512-6579-8215

URL <http://www.worldchemical.com.cn>

E-mail worldchemical@wcs.szbnet.com

WORLD CHEMICAL USA, INC.

25691 Atlantic Ocean Dr. Unit B-15 Lake Forest,
CA 92630. USA.

1 1-949-462-0900

URL <http://www.worldchemicalusa.com>

E-mail wca@worldchemicalusa.com

CT series

Self-priming filter pump CHEMIFINE

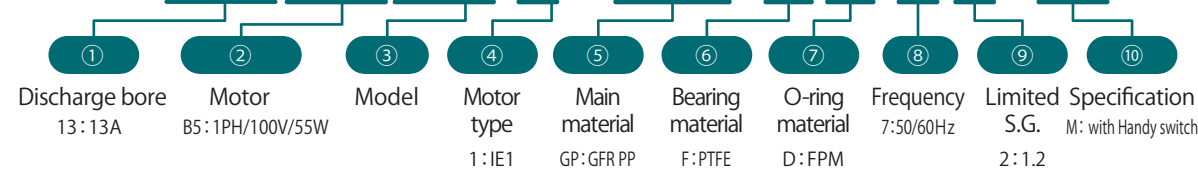


『Self-priming pump』 & 『Filter』 are unified ⇒ Compact! Work efficiency is improved. Cost saving!

〈 Model 〉

YD-13B5CT1-GP-FD72-M

Compact

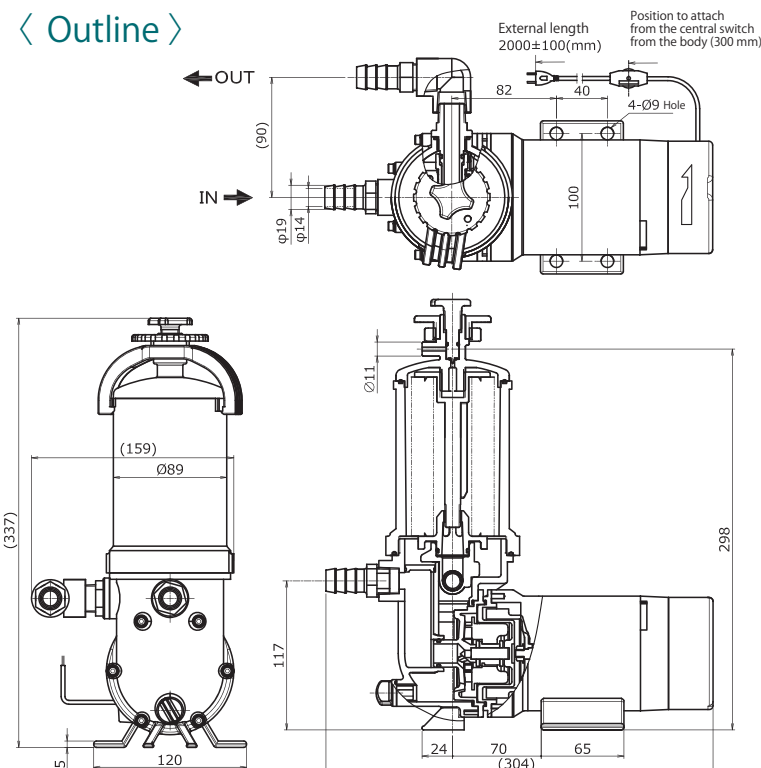


〈 Standard specification 〉

Model	13B5CT
Motor power	55W, 1PH, 100V, 50/60Hz in common ※ Power cable 2m (with Handy switch)
Bore (Suction × Discharge)	13A × 13A
Connection	Hose joint (Hose bore diameter: 19mm)
Liquid temperature	To 60°C
Limied specific gravity	To 1.2
Pressure (Max. for use: Clear water 25°C)	0.1Mpa
Standard performance (THD - Capacity)	50Hz: 3m - 7L/min. 60Hz: 4m - 10L/min.
Min. flow rate (Min. discharge) ※1	2L/min.
Lim. self-priming hight (Clear water 25°C)	0.5m
Capacity of filtration (Clear water) ※2	50Hz: 240 ~ 900L/h 60Hz: 300 ~ 1,020L/h
Tank capacity as a guide ※3	Approx. 40 ~ 340L
Main material	Pump: GFR PP Hosing: PSF (Transparence)
Outline dimesion (mm)	Length 304
	Width 159
	Height 337
Weight (kg)	3.9
Suite filter (Filter cartridge)	φ65 × 125mm (1 piece)
Accessory	Air release hose: 1 pc (Outer φ13 × Inner φ10, 40cm), Tool for disassembly: 1 set

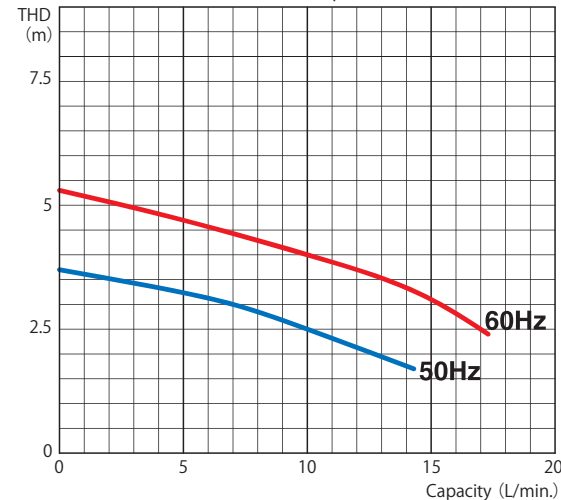
- ※1 Secure the min. flow rate during operation to cool the sliding parts for the pump.
- ※2 The capacity of filtration is depending on a filter to be used.
- ※3 It is the capacity as three times per hour in a tank.
- ※ Filter cartridge is not attached.

〈 Outline 〉



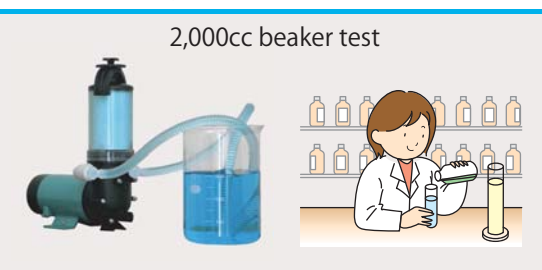
〈 Performance 〉

*The performance is from the end suction operation with clear water (20°C).



Use

- Cycle filtration in plating test tanks for small capacity.
- Cycle filtration of tabletop ultrasonic washing machine.
- For laboratory educational materials.



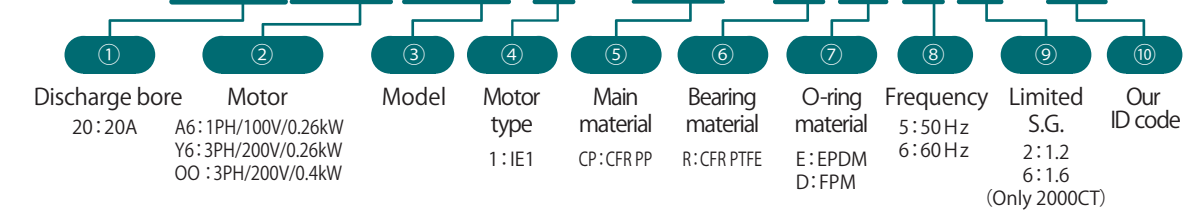
Feature

- Strong against entrapping air.
- Transparent housing to be easy to check.
- Easy to disassemble and wash the inside.
- Cartridge filter replacement that does not drip.



〈 Model 〉

YD-20Y6CT1-CP-RD52-N

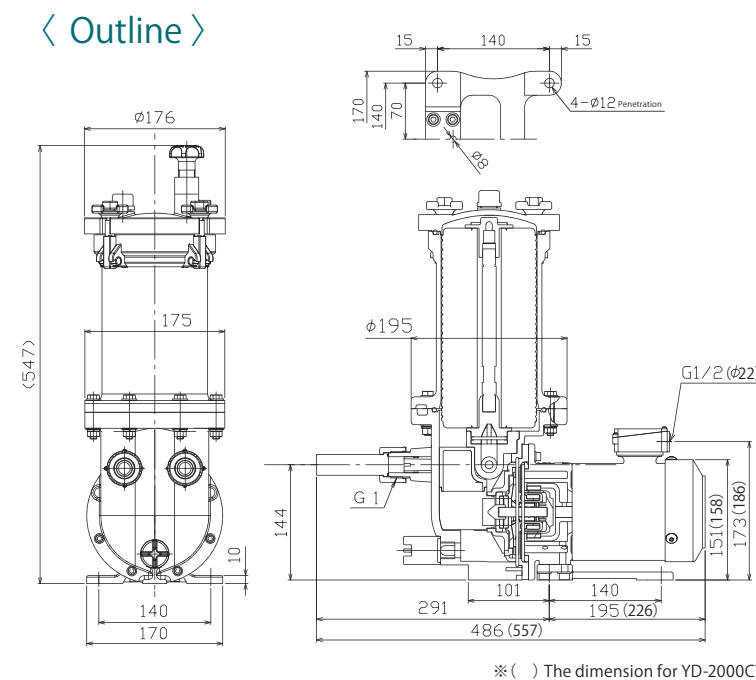


〈 Standard specification 〉

Model	20Y6CT	2000CT	20A6CT
Motor power	0.26kW 3PH, 200V	0.4kW 3PH, 200V	0.26kW 1PH, 100V
Bore (Suction × Discharge)	20A × 20A		
Connection	Union (20A pipe)		
Liquid temperature	To 70°C		
Limied specific gravity	To 1.2 ※1	To 1.6	To 1.2 ※1
Pressure (Max. for use: Clear water 25°C)	0.25Mpa		
Standard performance (THD - Capacity)	50Hz: 6m - 30L/min. 60Hz: 7m - 30L/min.		
Min. flow rate (Min. discharge) ※1	5L/min.		
Lim. self-priming hight (Clear water 25°C)	2.5m		
Filtration volume (Clear water) ※3	600 ~ 2,400L/h		
Tank capacity as a guide ※4	Approx. 100 ~ 800L		
Main material	CFR PP		
Outline dimesion (mm)	Length	486	557
	Width	176	
	Height	547 (When installing a pressure gauge=593)	
Weight (kg)	11.6	13.1	11.6
Suite filter (Filter cartridge)	φ65 × 250mm (1 pc) or φ125 × 250mm (1 pc)		
Accessory	Air release hose 1pc (Outer φ13 x Inner φ10, 40cm), Union socket 2 pcs, Union nut 2 pcs, O-ring for union socket 2 pcs		

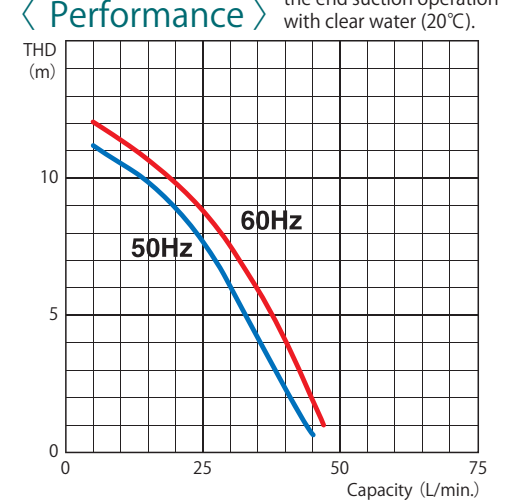
- ※1 Ask us to use the pump for liquid that the S.G. is more than 1.2.
- ※2 Keep the minimum flow rate to cool the sliding parts during operation.
- ※3 The filtration volume is depending on filters to be used.
- ※4 The capacity is for three times operation per hour.
- ※ The pressure gauge is an option.
- ※ Filter cartridge is not an accessory.

〈 Outline 〉



〈 Performance 〉

*The performance is from the end suction operation with clear water (20°C).

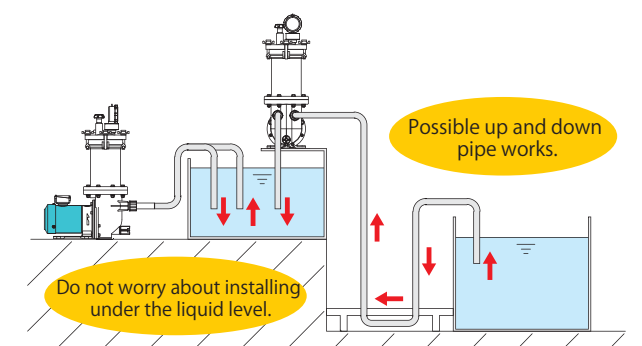


Use

- Cycle filtration in various plating tanks.
- Cycle filtration at experimental installations.
- Cycle filtration at small precess lines.

Free layout is possible.

- Possible to install at sites where hight is different.
- Easy installation for no need holes in tanks.
- Space saving to integrate a pump and filter housing.



Top cover is adopted for the housing.

- The working efficiency to replace a cartridge improved.
- Safe work environment is secured because it is possible to replace filters without dripping.